

FEATURES

- Wide Bandwidth
- Low Power Consumption
- Low Noise Figure
- Miniature Sizes, Field Removable connector
- Compact/Rugged Thin-Film Construction



APPLICATIONS

- Microwave Radio & VSAT
- Military & Space
- Test Instrumentation
- Fiber Optics

SPECIFICATIONS@25°C:

Part Number	Frequency Range (GHz)	Gain (dB.Min)	Flatness (±dB.Max.)	N.F (dB.Max)	P1dB (dBm.min)	VSWR Max	Current@ 12-15 VDC (mA. Typ)	Case Type
MLB0101G3015	0.01-1.5	30	1 Typ	1.5	10	2:1	100	BH2
MLB0505G1220	0.05-0.5	12	/	2	15	/	150	BH2
MLB0501G3015	0.05-1.5	30	1(Typ)	1.5	15	2:1	100	BH2
MLB0105G3011	0.1-0.5	30	0.6	1.1	10	1.8:1	120	BH2
MLB0105G3012	0.1-0.5	30	0.6	1.2	10	1.8:1	120	BH2
MLB0201G3540	0.1-2	35	2	4	10	2:1	250	DH4
MLB0601G2835	0.1-6	28	1.25	3.5	10	2: 1	190	BH2
MLB0601G3835	0.1-6	38	2.5(typ)	3.5	20	2.5:1	120	PM58
MLB1801G1050	0.1-18	10	2	5	10	2:1	150	BH2
MLB1801G3040	0.1-18	30	2	4	8	2.5:1	135	BH36
MLB1801G3045L01	0.1-18	30	2.5	4.5	8	2.5:1	135	BH36
MLB0120G3040	0.1-20	30	2(Typ.)	4(Typ.)	13	2:1(Typ.)	220	BH23
MLB4001G2860	0.1-40	28	3(Typ.)	6(Typ.)	19(Typ.)	2.5:1(Typ.)	400	BH23
MLB0604G3025	0.4-0.6	30	1.25	2.5	10	2:1	190	BH2
MLB0501G1416	0.5-1	14	0.5	1.6	10	2:1	120	BH2/BH3
MLB0501G2416	0.5-1	24	0.5	1.6	10	2:1	120	BH2/BH3
MLB0501G2625	0.5-1	26	0.5	2.5	14	2:1	120	BH2/BH3
MLB0501G2807	0.5-1	28	1.5	0.7	10	2:1	120	BH2/BH3
MLB0501G3015	0.5-1	30	1	1.5	10	2:1	120	BH2/BH3
MLB0501G3010	0.5-1	30	1.25	1	12	2:1	120	BH2/BH3
MLB0501G3215	0.5-1	32	1	1.5	14	2:1	120	BH2/BH3
MLB0501G3207	0.5-1	32	1.5	0.7	12	2:1	100	BH2/BH3
MLB0502G1114	0.5-2	11	1.5	1.4	10	2:1	100	BH2
MLB0502G1530L01	0.5-2	15	1.5	3	12	2:1	100	DH11



WIDE BAND LOW NOISE AMPLIFIER

Part Number	Frequency Range (GHz)	Gain (dB.Min)	Flatness (\pm dB.Max.)	N.F (dB.Max)	P1dB (dBm.min)	VSWR Max	Current@ 12-15 VDC (mA. Typ)	Case Type
MLB0502G2025	0.5-2	20	1	2.5	15	1.6:1	100	BH2/BH3
MLB0502G2035	0.5-2	20	2	3.5(Typ.)	18	2:1	220	BH2
MLB0502G2121	0.5-2	21	1.25	2.1	18	2:1	100	BH2/BH3
MLB0502G2245	0.5-2	22	1.5(Typ.)	4.5(Typ.)	12(Typ.)	2:2	5V/200mA	BH23
MLB0502G2318	0.5-2	23	1.5	1.8	12	2:1	100	BH2/BH3
MLB0502G2435	0.5-2	24	1.25	3.5	20	2:1	100	BH2/BH3
MLB0502G2809	0.5-2	28	2	0.9	10	2:1	100	BH2/BH3
MLB0502G3013	0.5-2	30	1.5	1.3	14	2:1	100	BH2/BH3
MLB0502G3025	0.5-2	30	1	2.5	15	1.6:1	100	BH2
MLB0502G3325	0.5-2	33	1	2.5	15	1.6:1	120	BH2/BH3
MLB0502G3008	0.5-2	30	1.5	0.9	10	2:1	120	BH2
MLB0502G3135	0.5-2	31	1.25	3.5	20	2:1	100	DH4
MLB0502G3220	0.5-2	32	1.25	2	15	2:1	100	BH2/BH3
MLB0502G3215	0.5-2	32	1.5	1.5	14	2:1	100	BH2/BH3
MLB0502G3417	0.5-2	34	1.5	1.7	18	2:1	100	BH2/BH3
MLB0502G3612	0.5-2	36	2	1.2	10	2:1	100	BH4
MLB0502G3830	0.5-2	38	1.25	3	15	2:1	100	BH2/BH3
MLB0502G4035	0.5-2	40	1.25	3.5	20	2:1	100	BH3
MLB0502G4513	0.5-2	45	1.5	1.3	10	2:1	200	BH4
MLB0502G4535	0.5-2	45	1.25	3.5	20	2:1	100	BH3
MLB0502G5020	0.5-2	50	1	2	12	2:1	300	BH2/BH3
MLB0502G6350L01	0.5-2	63	/	5	/	2:1	100	DH12
MLB0502G2050	0.5-2.5	20-22	0.75	5	13	1.5:2	150	BH2/BH3
MLB0205G2930	0.5-2.5	29-31	0.5	3	10	1.5:2	150	BH2/BH3
MLB0503G2520	0.5-3	25	1.25	2	12	2:1	180	BH28
MLB0503G2022	0.5-3	20 \pm 1	1.5	2.2	7	2:1	100	BH2/BH3
MLB0503G2030	0.5-3	20	1.25	3	12	2:1	100	BH2/BH3
MLB0504G3530	0.5-4	35	2	3	15	2:1	100	BH2
MLB1805G0755	0.5-18	7 \pm 1.5	/	5.5	/	2.5:1	150	BH3
MLB1805G0730	0.5-18	7	0.75	3	0	2:1	150	BH2
MLB1805G1390	.5-18	13	1.5	9	-6	2:1	165	BH57
MLB1805G2040	0.5-18	20	2	4	10	2:1	180	BH2
MLB1805G3035	0.5-18	30	2	3.5	10	2.2:1	220	BH3
MLB0518G3045	0.5-18	30	2	4.5	10	2.2:1	150	BH3



WIDE BAND LOW NOISE AMPLIFIER

Part Number	Frequency Range (GHz)	Gain (dB.Min)	Flatness (\pm dB.Max.)	N.F (dB.Max)	P1dB (dBm.min)	VSWR Max	Current@ 12-15 VDC (mA. Typ)	Case Type
MLB1805G1390	0.5-18	13	1.5	9	-6	2:1	165	BH57
MLB1805G2040	0.5-18	20	2	4	10	2:1	180	BH2
MLB0518G2425	0.5-18	24.5-27.5	1.5	2.5(Typ)	6	2:1(Typ)	150	BH68
MLB0518C2425	0.5-18	24.5-27.5	1.5	2.5(Typ)	6	2.1(Typ.)	150	BH69
MLB1805G3035	0.5-18	30	2	3.5	10	2.2:1	220	BH3
MLB0518G3045	0.5-18	30	2	4.5	10	2.2:1	150	BH3
MLB2005G2235	0.5-20	22	1.5(Typ.)	3.5(Typ.)	12(Typ.)	2:1	5V/200mA	BH23
MLB2005G3035	0.5-20	30	1.5(Typ.)	3.5(Typ.)	12(Typ.)	2:1	5V/200mA	BH23
MLB0806G2040	0.8-6	20-30	2.5	4	20	2:1	450	BH2/BH3
MLB0806G2815	0.8-6	28	2	1.5	10	2:1	220	BH2
MLB0806G3540	0.8-6	35	2.5	4	20	2:1	280	BH2/BH3
MLB0806G3615	0.8-6	36	2	1.5	10	2:1	220	BH3
MLB0102G1530	1-2	15	0.8(Typ)	3	15	1.6:1	80	BH2
MLB0102G2009	1-2	20	1	0.9	6	2:1	150	BH2
MLB0102G2420	1-2	24	1	2	12	2:1	100	BH2/BH3
MLB0102G2617	1-2	26	1.75	1.7	10	2:1	100	BH2/BH3
MLB0102G2612	1-2	26	2	1.2	10	2:1	120	BH2/BH3
MLB0102G2825	1-2	28	1	2.5	18	2:1	200	BH2/BH3
MLB0102G2806	1-2	28	1.5	0.6	10	2:1	150	BH2/BH3
MLB0102G3010	1-2	30	1	1	12	2:1	100	BH2/BH3
MLB0102G3008	1.1-2.3	30	1	0.8	8	2:1	120	BH2/BH19
MLB0102G3009	1.1-2.3	30	1.5	0.9	5 (max)	2:1	120	BH19
MLB0102G3109	1-2	31	2	0.9	10	2:1	120	BH2
MLB0102G3212	1-2	32	1	1.2	10	2:1	100	BH33
MLB0102G3225	1-2	32	1	2.5	12	2:1	100	BH2/BH3
MLB0102G3409	1-2	34	1.5	0.9	10	2:1	130	BH2/BH3
MLB0102G3520	1-2	35	1	2	12	2:1	200	BH3
MLB0102G3815	1-2	38	1.75	1.5	10	2:1	130	BH2/BH3
MLB0102G4022	1-2	40	0.75	2.2	10	2:1	180	BH3
MLB0102G4130	1-2	41	1	3	18	2:1	100	BH2/BH3
MLB0102G4230	1-2	42	1.25	3	12	2:1	100	BH2/BH3
MLB0103G2811	1-3	28	1.5	1.1	8	2.5:1	150	BH2/BH3
MLB0103G5314	1-3	53(max)	1.25	1.4	11	1.7/1.5	170	BH16
MLB0103G4030	1-3.2	40	1.5	30	10	1.4:1.4	250	BH3
MLB0104G2016	1-4	20	1.25	1.6	10	2:1	120	BH2/BH3



WIDE BAND LOW NOISE AMPLIFIER

Part Number	Frequency Range (GHz)	Gain (dB.Min)	Flatness (\pm dB.Max.)	N.F (dB.Max)	P1dB (dBm.min)	VSWR Max	Current@ 12-15 VDC (mA. Typ)	Case Type
MLB0104G2613	1-4	26	2	1.3	10	2:1	120	BH2/BH3
MLB0104G2810	1-4	28	1.5	1	10	2:1	120	BH2/BH3
MLB0104G3014	1-4	30	1.5	1.4	12	2:1	120	BH2/BH3
MLB0104G3515	1-4	35-40	/	1.5	10	2:1	120	BH3
MLB0104G5314	1-4	53(Max)	1.25(Typ)	1.4	11(Typ)	1.7/1.5	170	BH16
MLB0106G3013	1-6	30	1.5	1.3	10	2:1	150	BH2/BH3
MLB0118G1540	1-18	15	1.2(Typ)	4	12	2:1	80	BH2
MLB0118G1550	1-18	15	2	5	3	2:1	300	BH2
MLB0118G1560	1-18	15	1.5	6	15	2:1	150	BH2/BH3
MLB0118G2045	1-18	20-27	2	4.5	10	2.2:1	120	BH2
MLB0118G2532	1-18	25	2(Typ)	3.2	10	2.2:1	120	BH2
MLB0118G3035	1-18	30	1.5	3.5	10	2:1	200	BH3
MLB0118G3040	1-18	30	2.5	4	12	2:1	50	BH2/BH3
MLB0118G3640	1-18	36-45	2.5	4	9	2.5:1	350	BH3
MLB0119G2050	1-19	20-27	2	5	10	2.2:1	120	BH2
MLB0120G4040	1-20	40	2 Typ	4	13	2:1(Typ.)	300	BH3
MLB0120G4045	1-20	40	3	4.5	13	2:1(Typ.)	300	BH23
MLB0140G4055	1-40	40	3.5	5.5(Typ.)	13	2:1(Typ.)	600	BH23
MLB0150G2565	1-50	25(Typ)	2.5(Typ)	6.5(Typ)	/	2:1	30	BH23
MLB0201G3010	1.2-2.4	30-40	1(Typ.)	1	+10	1.75:1	200	BH2
MLB0103G1010	1.6-3.1	10	1 Typ	1	18	2:1	80	BH2
MLB0202G5015	2.17-2.65	50	1.5	1.5	10	2:1	400	BH2/BH3
MLB0203G1020	2-3	10	0.5	2	12	2:1	120	BH2/BH3
MLB0203G2020	2-3	20	0.5	2	12	2:1	120	BH2/BH3
MLB0203G3520	2-3	35	0.75	2	12	2:1	120	BH2/BH3
MLB0204G2325	2-4	23	1	2.5	18	2:1	240	BH2
MLB0204G2420	2-4	24	1	2	12	2:1	125	BH2/BH3
MLB0204G2535	2-4	25	1	3.5	15	2:1	150	BH2
MLB0204G2618	2-4	26	1	1.8	10	2:1	120	BH2/BH3
MLB0204G2810	2-4	28	1	1	10	2:1	125	BH12
MLB0204G2807	2-4	28	1.5	0.7	10	2:1	120	BH2/BH3
MLB0204G2925	2-4	29	1.25	2.5	18	2:1	120	BH2/BH3
MLB0204G3010	2-4	30	1	1	12	2:1	100	BH2/BH3
MLB0204G3014	2-4	30	2	1.4	12	2:1	120	BH2/BH3
MLB0204G3207	2-4	32	1	0.7	10	2:1	150	BH2/BH3



WIDE BAND LOW NOISE AMPLIFIER

Part Number	Frequency Range (GHz)	Gain (dB.Min)	Flatness (\pm dB.Max.)	N.F (dB.Max)	P1dB (dBm.min)	VSWR Max	Current@ 12-15 VDC (mA. Typ)	Case Type
MLB0204G3208	2-4	32	1	0.8	10	2:1	125	BH2
MLB0204G3212	2-4	32	1.5	1.2	14	2:1	120	BH2/BH3
MLB0204G3508	2-4	35	1.5	0.8	10	2:1	150	BH2/BH3
MLB0204G3520	2-4	35	1	2	12	2:1	200	BH3
MLB0204G3925	2-4	39	1.5	2.5	18	2:1	120	BH2/BH3
MLB0204G4009	2-4	40	1 Typ	0.9	14	/	200	BH3
MLB0204G4020	2-4	40	1.25	2	15	2:1	120	BH4
MLB0204G4513	2-4	45	1	1.3	5	1.8:1	90mA	BH2
MLB0204N6013	2-4	60	1	1.3	5	1.8:1	120	BH41
MLB0206G0935	2-6	9-12	1.5	3.5	12	2:1	200	BH2/BH3
MLB0206G1530	2-6	15-17	1.5	3	13	2:1	300	BH2
MLB0206G1830	2-6	18-22	1.5	3	17	2:1	100	BH2
MLB0206G1940	2-6	18	1	5	10	2:1	200	BH2/BH3
MLB0206G1940	2-6	19-21	1.5	4	13	2:1	5V/200mA	BH23
MLB0206G2235	2-6	22	1.5(Typ.)	3.5(Typ.)	12(Typ.)	2:12	120	BH2
MLB0206G2335	2-6	23	1	3.5	18	2:1	120	BH2
MLB0206G2420	2-6	24	1	2	12	2:1	120	BH2
MLB0206G2615	2-6	26	1	1.5	10	2:1	120	BH2/BH3
MLB0206G2815	2-6	28	2	1.5	10	2:1	120	BH2/BH3
MLB0206G2935	2-6	29	1.5	3.5	18	2:1	120	BH2/BH3
MLB0206G3025	2-6	30	1.5	2.5	12	2:1	120	BH2/BH3
MLB0206G3018	2-6	30	2	1.8	12	2:1	120	BH2/BH3
MLB0206G3030	2-6	30	1.5	3	0	1.5:1	120	BH2
MLB0206G3214	2-6	32	1.5	1.4	14	2:1	120	BH3
MLB0206G3920	2-6	39	2	2	18	2:1	150	BH4
MLB0206G4009	2-6	40	1 Typ	0.9	14	/	200	BH3
MLB0206G4026	2-6	40	1.5	2.6	15	1.8:1	150	BH4
MLB0206G4030	2-6	40	2	3	12	2:1	150	BH4
MLB0207G2930	2-7	29-31	1	3	10	1.5:2	150	BH2/BH3
MLB0208G1625	2-8	16	1.5	2.5	10	2:1	150	BH2
MLB0208G1425	2-8	14	1.5	2.5	10	2:1	120	BH2
MLB0208G1525	2-8	15-17	1	2.5	8	2:1	150	BH2/BH3
MLB0208G1820	2-8	18-24	1.5	2	13	2:1	250	BH2



WIDE BAND LOW NOISE AMPLIFIER

Part Number	Frequency Range (GHz)	Gain (dB.Min)	Flatness (\pm dB.Max.)	N.F (dB.Max)	P1dB (dBm.min)	VSWR Max	Current@ 12-15 VDC (mA. Typ)	Case Type
MLB0208G2119	2-8	21	1	1.9	18	2:1	120	BH2/BH3
MLB0208G2145	2-8	21-23	1	4.5	16	2:1	180	BH32
MLB0208G2235	2-8	22	1	3.5	12	2:1	120	BH2/BH3
MLB0208G2417	2-8	24	1.5	1.7	15	2:1	120	BH2/BH3
MLB0208G2525	2-8	25	1.5	2.5	18	2:1	120	BH2/BH3
MLB0208G2815	2-8	28	2	1.5	10	2:1	120	BH2/BH3
MLB0208G2930	2-8	29	1.5	3	15	2:1	100	BH2/BH3
MLB0208G2913	2-8	29	2	1.3	10	2:1	120	BH2/BH3
MLB0208G3015	2-8	30	1.5	1.5	10	2:1	150	BH2/BH3
MLB0208G3030	2-8	30	1	3	10	1.8:1	150	BH2
MLB0208G3315	2-8	33	1.5	1.5	12	2:1	150	BH2/BH3
MLB0208G3020	2-8	30	1.5	2	15	2:1	280	BH2
MLB0208G3220	2-8	32	1.5	2	20	2:1	120	BH2/BH3
MLB0208G3216	2-8	32	2.5	1.6	12	2:1	120	BH2/BH3
MLB0208G3620	2-8	36	2	2	14	2:1	120	BH2/BH3
MLB0208G3920	2-8	39	2	2	18	2:1	120	BH2/BH3
MLB0208G4035	2-8	40	2	3.5	12	2:1	120	BH2/BH3
MLB0208G4220	2-8	42	2	2	15	2:1	120	BH2/BH3
MLB0208G4230	2-8	42	1.5	3	20	2:1	120	BH2/BH3
MLB0208G4530	2-8	45	1.5	3	20	2:1	120	BH2/BH3
MLB0210G2045	2-10	20	2	4.5	12	2:1	120	BH2/BH3
MLB0210G2047	2-10	20	2	4.7	18	2:1	120	BH2/BH3
MLB0210G2825	2-10	28	2.5	2.5	10	2:1	120	BH2
MLB0210G3045	2-10	30	2.5	4.5	12	2:1	120	BH2/BH3
MLB0210G3047	2-10	30	2.5	4.7	18	2:1	120	BH2/BH3
MLB0210G3220	2-10	32	2.5	2	12	2:0	120	BH2/BH3
MLB0210G3625	2-10	36	2	2.5	14	2:1	120	BH2/BH3
MLB0212G1855	2-12	18	2.5	5.5	18	2:1	120	BH2/BH3
MLB0212G1950	2-12	19	2	5	12	2:1	120	BH2/BH3
MLB0212G2655	2-12	26	2.5	5.5	18	2:1	120	BH2/BH3
MLB0212G2750	2-12	27	2	5	12	2:1	120	BH2/BH3
MLB0212G2830	2-12	28	2.5	3	10	2:1	120	BH2/BH3
MLB0212G3030	2-12	30	2	3	12	2:1	120	BH2/BH3



WIDE BAND LOW NOISE AMPLIFIER

Part Number	Frequency Range (GHz)	Gain (dB.Min)	Flatness (\pm dB.Max.)	N.F (dB.Max)	P1dB (dBm.min)	VSWR Max	Current@ 12-15 VDC (mA. Typ)	Case Type
MLB0212G3250	2-12	32	2	5	14	2:1	120	BH2/BH3
MLB0212G3555	2-12	35	2.5	5.5	18	2:1	120	BH2/BH3
MLB0212G3650	2-12	36	2.5	5	12	2:1	120	BH2/BH3
MLB0218G0745	2-18	7	1.5	4.5	8	2:1	120	BH2/BH3
MLB0218G1050	2-18	10	2	5	11	2:1	150	BH2
MLB0218G1235	2-18	12	1.8	3.5	12	1.6:1	150	BH2
MLB0218E1436	2-18	14	1.5	3.6	6	2:1	150	BH59
MLB0218G1445	2-18	14	1.5	4.5	9	2:01	120	BH2/BH3
MLB0218G1736	2-18	17	1.5	3.6	9	2:1	150	BH59
MLB0218G1535	2-18	15	2	3.5	15	2:1	100	BH2
MLB0218G1730	2-18	17	1.75	3	17	2:1	240	BH3
MLB0218G1750	2-18	17	2	5	12	2.2:1	200	BH2
MLB0218G1760	2-18	17	2.5	6	15	2.3:1	100	BH2
MLB0218G1860	2-18	18	2.5	6	12	2.3:1	100	BH2
MLB0218G2035	2-18	20	2.5(Typ)	3.5	10	2.2:1	200	BH2
MLB0218G2036	2-18	20	2.5	3.6	15	2:1	180	BH2
MLB0218G2535	2-18	25	2.5	3.5	15	2:1	180	BH2/BH3
MLB0218G2335	2-18	23	2	3.5	10	2:1	120	BH2
MLB0218G2040	2-18	20	2	4(Typ.)	15	2:1	220	BH2
MLB0218G2045	2-18	20	2	4.5	18	2:1	120	BH2/BH3
MLB0218G2035	2-18	20	2.5	3.5	10	2:1	120	BH2/BH3
MLB0218G2135	2-18	21	1.5	3.5	10	2:1	150	BH2
MLB0218G2045	2-18	20-27	2	4.5	10	2.2:1	120	BH2
MLB0218G2235	2-18	22	2	3.5	8	2:1	100	BH2/BH3
MLB0218G2360	2-18	23	2	6	15	2.3:1	100	BH2/BH3
MLB0218G2460	2-18	24	3	6	12	2.3:1	100	BH2/BH3
MLB0218G2535	2-18	25	2.5	3.5	15	2:1	180	BH2
MLB0218G2545	2-18	25	1.5	4.5	16	2:1	170	BH2/BH3
MLB0218G2840	2-18	28	3	4	10	2.3:1	120	BH2
MLB0218G2850	2-18	28	2	5	10	2.2:1	200	BH3
MLB0218G2960	2-18	29	2.5	6	15	2.3:1	100	BH2/BH3
MLB0218G3028	2-18	30	1.8	2.8	10	2:1	120	BH2/BH3
MLB0218G3030	2-18	30	2(Typ)	3	13(Typ)	1.5:1(Typ)	200	BH23
MLB0218G3035	2-18	30	2.5	3.5	15	2:1	240	BH3



WIDE BAND LOW NOISE AMPLIFIER

Part Number	Frequency Range (GHz)	Gain (dB.Min)	Flatness (\pm dB.Max.)	N.F (dB.Max)	P1dB (dBm.min)	VSWR Max	Current@ 12-15 VDC (mA. Typ)	Case Type
MLB0218G3036	2-18	30	1.8	3.5	10	2:1	120	BH2
MLB0218G3060	2-18	30	3.5	6	12	2.3:1	100	BH2/BH3
MLB0218G3145	2-18	31	2	4.5	15	2.2:1	100	BH2
MLB0218G3155	2-18	31-38	2.5	5.5	10	2.5:1	230	BH3
MLB0218G3235	2-18	32	2.5	3.5	12	2:1	180	BH2
MLB0218G3560	2-18	35	3.75	6	12	2.3:1	100	BH2/BH3
MLB0218G4025	2-18	40	1.75(Typ.)	2.5	10	2:1	300	BH3
MLB0218G4028	2-18	40	2(Typ)	2.8	10	2:1	300	BH4
MLB0218G4032	2-18	40	2(Typ)	3.2	15	2.3:1(Typ)	450	BH66
MLB0218G4035	2-18	40	2.5	3.5	10	2.5:1	300	BH4
MLB0218G5050	2-18	50	3	5	10	2:1	200	BH6
MLB0218G5035	2-18	50	2.5	3.5	10	2.2:1	360	DH6
MLB0240G2650	2-40	26	2.5(Typ)	5(Typ)	12	2.5:1(Typ)	800	BH23
MLB0618G1540	6-18	15-17	1.5	4	13	2:1	200	BH2/BH3
MLB0305G2035	3-5	20	1	3.5	10	1.5:1	80	BH2/BH3
MLB0305G3020	3-5	30	0.75	2	12	1.6:1	150	BH2
MLB0305G3025	3-5	30	1.5	2.5	15	2:1	150	BH2
MLB0304G5011	3.4-4.8	50	1	1.1	10	2:1	400	BH4
MLB0314G1835	3.7-14.5	18	2	3.5	9	2:1	120	BH2/BH3
MLB0314G1830	3.7-14.5	18	2.5	3	10	2:1	120	BH2/BH3
MLB0314G1940	3.7-14.5	19	2	4	18	2:1	120	BH2/BH3
MLB0314G2040	3.7-14.5	20	2	4	12	2:1	120	BH2/BH3
MLB0314G2430	3.7-14.5	24	2.5	3	12	2:1	120	BH2/BH3
MLB0314G2940	3.7-14.5	29	2.5	4	18	2:1	120	BH2/BH3
MLB0314G3040	3.7-14.5	30	2.5	4	12	2:1	120	BH2/BH3
MLB0314G3940	3.7-14.5	39	3	4	18	2:1	120	BH2/BH3
MLB0314G4040	3.7-14.5	40	3	4	12	2:1	120	BH2/BH3
MLB0312G3625	3.8-12.75	36	2.5(Typ)	2.5	10(Typ)	/	300	BH3
MLB0406G0860	4-6	8-10	1	6	18	2:1	120	BH2
MLB0406G3025	4-6	30	1	2.5	10	2:1	120	BH2
MLB0408G2015	4-8	20	1	1.5	12	2:1	120	BH2/BH3
MLB0408G2115	4-8	21	1.5	1.5	8	2.2:1	110	BH2/BH3
MLB0408G2330	4-8	23	1	3	18	2:1	110	BH2/BH3
MLB0408G2430	4-8	24	1	3	12	2:1	110	BH2/BH3
MLB0408G2530	4-8	25	1	3	15	2:1	120	BH2



WIDE BAND LOW NOISE AMPLIFIER

Part Number	Frequency Range (GHz)	Gain (dB.Min)	Flatness (\pm dB.Max.)	N.F (dB.Max)	P1dB (dBm.min)	VSWR Max	Current@ 12-15 VDC (mA. Typ)	Case Type
MLB0408G2811	4-8	28	1.5	1.1	9	2:1	110	BH2
MLB0408G2812	4-8	28	1.75	1.2	14	2:1	200	DH4
MLB0408G2912	4-8	29	1.5	1.2	10	2:1	120	BH2/BH3
MLB0408G2915	4-8	29	1.5	1.5	15	2.2:1	110	BH2
MLB0408G3010	4-8	30	1.5	1	10	2:1	110	BH3
MLB0408G3012	4-8	30	1	1.2	12	2:1	120	BH3
MLB0408G3014	4-8	30	1	1.4	14	2:1	110	BH2/BH3
MLB0408G3015	4-8	30	1.5	1.5	15	2:1	110	BH3
MLB0408G3025	4-8	30	1.5	2.5	18	2:1	110	BH2
MLB0408G3312	4-8	33	1.5	1.2	10	2:1	150	BH2/BH3
MLB0408G3130	4-8	31	1.5	3	18	2:1	110	BH2/BH3
MLB0408G3218	4-8	32	1	1.8	12	2:1	110	BH2/BH3
MLB0408G3230	4-8	32	1.5	3	12	2:1	110	BH2/BH3
MLB0408G3711	4-8	37	1	1.1	10	2:1	125	BH2
MLB0408G3713	4-8	37	1.25	1.3	10	2:1	110	BH2/BH3
MLB0408G3930	4-8	39	1.5	3	18	2:1	110	BH2/BH3
MLB0408G4030	4-8	40	1.5	3	12	2:1	110	BH3
MLB0410G1025	4-10.5	10	1.5	2.5	8	2:1	75	BH2/BH3
MLB0410G1820	4-10.5	18	1.5	2	9	2:1	120	BH2/BH3
MLB0410G1925	4-10.5	19	1.5	2.5	10	2:1	140	BH2/BH3
MLB0410G2030	4-10.5	20	1.5	3	14	2:1	120	BH2/BH3
MLB0410G2240	4-10.5	22	1.25	4	18	2:1	120	BH2/BH3
MLB0410G2340	4-10.5	23	1.25	4	12	2:1	120	BH2/BH3



WIDE BAND LOW NOISE AMPLIFIER

Part Number	Frequency Range (GHz)	Gain (dB.Min)	Flatness (\pm dB.Max.)	N.F (dB.Max)	P1dB (dBm.min)	VSWR Max	Current@ 12-15 VDC (mA. Typ)	Case Type
MLB0410G2825	4-10.5	28	2	2.5	10	2:1	120	BH2/BH3
MLB0410G3015	4-10.5	30	1.5	1.5	10	2:1	110	BH2/BH3
MLB0410G3340	4-10.5	33	1.25	4	18	2:1	120	BH2/BH3
MLB0410G3440	4-10.5	34	1.5	4	12	2:1	120	BH2/BH3
MLB0410G4325	4-10.5	43	1.5	2.5	15	2:1	120	BH2/BH3
MLB0412G2140	4-12	21	1.5	4	18	2:1	120	BH2/BH3
MLB0412G2240	4-12	22	1.5	4	12	2:1	120	BH2/BH3
MLB0412G2825	4-12	28	2	2.5	9	2:1	120	BH2
MLB0412G3020	4-12	30	1.6	2	10	2:1	150	BH2
MLB0412G3030	4-12	30	2.5	3	12	2:1	150	BH2/BH3
MLB0412G3230	4-12	32	1.75	3	14	2:1	120	BH2/BH3
MLB0412G3240	4-12	32	2	4	18	2:1	120	BH2/BH3
MLB0412G3340	4-12	33	2	4	12	2:1	120	BH2/BH3
MLB0412G3520	4-12	35	1.6	2	10	2:1	150	BH3
MLB0412G4340	4-12	43	2.5	4	18	2:1	120	BH2/BH3
MLB0412G4440	4-12	44	2.5	4	12	2:1	120	BH4
MLB0412G2225	4-12	22	1	2.5	10	2:1	120	BH2/BH3
MLB0418G2050	4-18	20	3.5	5	10	2.5:1	120	BH2/BH3
MLB0506G2820	5-6	28	0.5	2	12	/	200	BH3
MLB0510G1535	5-10	15	1(Typ)	3.5	12	2:1	100	BH2
MLB0510G2718	5-10	27	1.25	1.8	10	2:1	120	BH2/BH3
MLB0510G2820	5-10	28	1.5	2	10	2:1	120	BH2/BH3
MLB0510G3018	5-10	30	2	1.8	9	2:1	120	BH2/BH3
MLB0510G3220	5-10	32	1.25	2	14	2:1	120	BH2/BH3
MLB0513G2135	5-13	21	1.5	3.5	17	2:1	120	BH2/BH3
MLB0513G2830	5-13	28	1.5	3	10	2:1	120	BH2/BH3
MLB0513G3025	5-13	30	1.5	2.5	14	2:1	120	BH2/BH3
MLB0513G3135	5-13	31	1.5	3.5	19	2:1	120	BH2/BH3
MLB0513G3225	5-13	32	1.5	2.5	14	2:1	120	BH2/BH3
MLB0513G4335	5-13	43	1.5	3.5	19	2:1	120	BH2/BH3
MLB0513G5235	5-13	52	1.5	3.5	19	2:1	120	BH2/BH3
MLB0513G2025	5-13	20	1.5	2.5	15	2:1	120	BH2/BH3
MLB0513G1025	5-13	10	1.25	2.5	10	2:1	100	BH2/BH3
MLB0515G1940	5-15	19	1.5	4	18	2:1	120	BH2/BH3
MLB0515G2040	5-15	20	1.5	4	12	2:1	120	BH2/BH3



WIDE BAND LOW NOISE AMPLIFIER

Part Number	Frequency Range (GHz)	Gain (dB.Min)	Flatness (\pm dB.Max.)	N.F (dB.Max)	P1dB (dBm.min)	VSWR Max	Current@ 12-15 VDC (mA. Typ)	Case Type
MLB0515G2825	5-15	28	2	2.5	10	2:1	120	BH2/BH3
MLB0515G2940	5-15	29	2	4	18	2:1	120	BH2/BH3
MLB0515G3040	5-15	30	2	4	12	2:1	120	BH2/BH3
MLB0515G3030	5-15	30	2.5	3	9	2:1	120	BH2/BH3
MLB0515G3225	5-15	32	2	2.5	12	2:1	120	BH2/BH3
MLB0515G3940	5-15	39	2.5	4	18	2:1	120	BH2/BH3
MLB0515G4040	5-15	40	2.5	4	12	2:1	120	BH2/BH3
MLB0517G1825	5-17	18	1.5	2.5	14	2:1	180	BH2
MLB0526G3550	5.8-26	35	2	5	10	2:1	150	BH3
MLB0512G3230	5.92-11.7	32-35	1	3	10	2:1	120	BH2
MLB0607G6010	6-7	60	1	1	10	1.5:1	400	BH2/BH3
MLB0610G2630	6-10	26	1.5	3	15	2:01	120	BH2/BH3
MLB0610G3014	6-10	30	2	1.4	10	2:01	120	BH2
MLB0612G1025	6-12	10	1	2.5	8	2:01	120	BH2/BH3
MLB0612G1060	6-12	10	1.5	6	10	1.8:1	120	BH2
MLB0612G1935	6-12	19	1	3.5	18	2:01	120	BH2/BH3
MLB0612G1955	6-12	19-22	1.5	2.2	19	2:01	220	BH2
MLB0612G2025	6-12	20	1.5	2.5	15	2:01	120	BH2
MLB0612G2035	6-12	20	1.5	3.5	12	2:01	120	BH2/BH3
MLB0612G2125	6-12	21	1.5	2.5	10	2:01	120	BH2/BH3
MLB0612G2219	6-12	22	1	1.9	10	2:01	120	BH2/BH3
MLB0612G2735	6-12	27	1.25	3.5	18	2:01	120	BH2/BH3
MLB0612G2835	6-12	28	1.25	3.5	12	2:01	120	BH2/BH3
MLB0612G2817	6-12	28	1.5	1.7	10	2:01	120	BH2
MLB0612G2925	6-12	29	1.5	2.5	10	2:01	120	BH2/BH3
MLB0612G3020	6-12	30	1.5	2	14	2:01	120	BH2/BH3
MLB0612G3315	6-12	33	1.5	1.5	10	2:01	120	BH2/BH3
MLB0612G3015	6-12	30	1.5	1.5	10	2:01	120	BH2/BH3
MLB0612G3222	6-12	32	2	2.2	9	2:01	120	BH2/BH3
MLB0612G3320	6-12	33	1.5	2	10	2:01	120	BH2
MLB0612G3735	6-12	37	1.5	3.5	18	2:01	120	BH2/BH3
MLB0612G3835	6-12	38	1.5	3.5	12	2:01	120	BH2/BH3
MLB0612G4025	6-12	40	1.5	2.5	10	2:01	120	BH2/BH3



WIDE BAND LOW NOISE AMPLIFIER

Part Number	Frequency Range (GHz)	Gain (dB.Min)	Flatness (\pm dB.Max.)	N.F (dB.Max)	P1dB (dBm.min)	VSWR Max	Current@ 12-15 VDC (mA. Typ)	Case Type
MLB0612G5025	6-12	50	1.5	2.5	10	2:01	120	BH2/BH3
MLB0618G1026	6-18	10	1.5	2.6	8	2:01	120	BH2/BH3
MLB0618G1430	6-18	14	1	3	/	2:01	120	BH2
MLB0618G1540	6-18	15-17	1.5	4	13	2:01	200	BH2/BH3
MLB0618G1635	6-18	16-18	1.6	3.5	15	2:01	200	BH2/BH3
MLB0618G1740	6-18	17	1.5	4	18	2:01	120	BH2
MLB0618G1825	6-18	18-24	1.5	2.5	13	2:1	180	BH2
MLB0618G1835	6-18	18	2	3.5	10	2:01	200	BH2
MLB0618G1840	6-18	18	1	4	12	2:01	120	BH2/BH3
MLB0618G2025	6-18	20-25	2	2.5	10	2:01	100	BH2
MLB0618C2025	6-18	20-25	2	2.5	10	2:1	100	BH2
MLB0618G2030	6-18	20	2	3	10	2:01	200	BH2
MLB0618G2135	6-18	21	1.5	3.5	13	2:01	150	BH2
MLB0618G2232	6-18	22	1.5(Typ.)	3.2(Typ.)	12(Typ.)	2:01	5V/200mA	BH23
MLB0618G2525	6-18	25	1.5	2.5	13	2:01	120	BH2
MLB0618G2527	6-18	25	1.5	2.7	8	2:01	120	BH2/BH3
MLB0618G2540	6-18	25-27	1.5	4	13	2:01	200	BH2/BH3
MLB0618G3030	6-18	29	1.5	3	15	1.8:1	120	BH2
MLB0618G2630	6-18	26	1.5	3	15	2:01	120	BH2/BH3
MLB0618G2640	6-18	26	2	4	18	2:01	120	BH2
MLB0618G2740	6-18	27	2	4	12	2:01	120	BH2/BH3
MLB0618G2818	6-18	28	2	1.8	10	2:01	120	BH2/BH3
MLB0618G2825	6-18	28	1.5	2.5	15	2:01	120	BH2/BH3
MLB0618G3318	6-18	33	1.5	1.8	10	2:01	120	BH2/BH3
MLB0618G3018	6-18	30	1.5	1.8	15	2:01	120	BH2/BH3
MLB0618G3020	6-18	30	1.5	2	15	2:01	290	BH2
MLB0618G3025	6-18	30	1.5	2.5	10	2.2:1	250	BH3
MLB0618G3219	6-18	32	2.5	1.9	12	2:01	120	BH2/BH3
MLB0618G3230	6-18	32	1.5	3	15	2:01	120	BH2/BH3
MLB0618G3225	6-18	32	1.5	2.5	15	2:01	120	BH2/BH3
MLB0618G3519	6-18	35	2.5	1.9	12	2:01	120	BH2/BH3
MLB0618G3425	6-18	34	2	2.5	10	2:01	170	BH2/BH3
MLB0618G3525	6-18	35	1.5	2.5	15	2:01	120	BH2/BH3
MLB0618G3540	6-18	35	2.5	4	20	2:01	120	BH3
MLB0618G3550	6-18	35	2.5	5	17	2:01	400	BH2/BH3



WIDE BAND LOW NOISE AMPLIFIER

Part Number	Frequency Range (GHz)	Gain (dB.Min)	Flatness (\pm dB.Max.)	N.F (dB.Max)	P1dB (dBm.min)	VSWR Max	Current@ 12-15 VDC (mA. Typ)	Case Type
MLB0618G3640	6-18	36	2.5	4	12	2:01	120	BH2/BH3
MLB0618G3730	6-18	37	1.5	3	17	2:01	120	BH2/BH3
MLB0618G3820	6-18	38	2	2	10	2:01	200	BH4
MLB0618G3825	6-18	38	1.5	2.5	15	2:01	120	BH3
MLB0618G3830	6-18	38	1.5	3	15	2:01	120	BH2/BH3
MLB0618G3940	6-18	39	3	4	18	2:01	120	BH2/BH3
MLB0618G4030	6-18	40	1.5	3	5	1.8:1	120	BH2/BH3
MLB0618G4040	6-18	40	3	4	12	2:01	120	BH2/BH3
MLB0618G4225	6-18	42	2	2.5	10	2:01	120	BH2/BH3
MLB0618G4228	6-18	42	2	2.8	15	2:01	280	BH2/BH3
MLB0618G4225	6-18	42	1.5	2.5	15	2:01	350	BH3
MLB0618G4430	6-18	44	1.5	3	15	2:1	120	BH4
MLB0618G5025	6-18	50	2	2.5	10	2:01	120	DH6
MLB0618G5030	6-18	50	1.5	3	15	2:01	120	BH2/BH3
MLB0620G1730	6-20	17	0.5	3	13	1.8:1	150	BH2/BH3
MLB0618G2930	6.8-18	29-31	1	3	10	1.5:2	150	BH2
MLB0711G2121	7-11	21	1.9	2.1	11(Typ.)	2.3/2	8V/50	BH2
MLB0712G1025	7-12	10	1	2.5	9	2:01	120	BH2/BH3
MLB0712G1825	7-12	18	1.5	2.5	15	2:01	120	BH2/BH3
MLB0712G2230	7-12	22	1.5	3	20	2:01	120	BH2/BH3
MLB0712G2818	7-12	28	1.5	1.8	10	2:01	120	BH2/BH3
MLB0712G2825	7-12	28	1.5	2.5	15	2:01	120	BH2/BH3
MLB0712G3220	7-12	32	1.5	2	14	2:01	120	BH2/BH3
MLB0712G3330	7-12	33	1	3	18	2:01	350	BH3
MLB0712G3630	7-12	36	1.5	3	20	2:01	120	BH2/BH3
MLB0712G3825	7-12	38	1.5	2.5	15	2:01	120	BH2/BH3
MLB0712G4725	7-12	47	1.5	2.5	15	2:01	120	BH2/BH3
MLB0710N4512	7.4-10.6	45	9	1.2	14	1.56/2	90	BH43
MLB0812G1813	8-12	18	1.25	1.3	7	2:01	120	BH2/BH3
MLB0812G1935	8-12	19	1	3.5	18	2:01	120	BH2/BH3
MLB0812G2025	8-12	20	1	2.5	12	2:01	120	BH2
MLB0812G2225	8-12	22	1	2.5	10	2:01	120	BH2/BH3
MLB0812G2211	8-12	22	1.5	1.1(TYP)	10	2:01	120	BH2
MLB080120G2213	8-12	22	1.5	1.3	10	2:01	120	BH2



WIDE BAND LOW NOISE AMPLIFIER

Part Number	Frequency Range (GHz)	Gain (dB.Min)	Flatness (\pm dB.Max.)	N.F (dB.Max)	P1dB (dBm.min)	VSWR Max	Current@ 12-15 VDC (mA. Typ)	Case Type
MLB0812G2522	8-12	25	1	2.2	10	1.8:1	120	BH2
MLB0218G2525	8-12	25	1.5	2.5	15	2:01	250	BH2
MLB0812G2725	8-12	27	2	2.5	18	2:01	200	BH2
MLB0812G2813	8-12	28	1.5	1.3	14	2:01	120	BH2/BH3
MLB0812G2835	8-12	28	1.25	3.5	12	2:01	120	BH2/BH3
MLB0812G3013	8-12	30	1.25	1.3	10	2:01	120	BH2
MLB0812G3030L01	8-12	30	1.5	3	10	2:01	220	BH3
MLB0812G3210	8-12	32	1	1(Typ)	10	2:01	150	BH2
MLB0812G3213	8-12	32	1	1.3	10	2:01	150	BH2
MLB0812G3214	8-12	32	1	1.4	10	2:01	150	BH2
MLB0812G3520	8-12	35	1.5	2	18	2:01	120	BH2/BH3
MLB0812G3610	8-12	36	1	1.3	10	22:1	150	BH2
MLB0812G3635	8-12	36	1.5	3.5	12	:1	120	BH2/BH3
MLB0812G4135	8-12	41	1.75	3.5	18	2:1	120	BH2/BH3
MLB0812G4225	8-12	42	1.75	2.5	12	2:1	120	BH2/BH3
MLB0812G2220	8-12.4	22	1	2	15	2:1	120	BH39
MLB0812G3320	8-12.4	33	1.25	2	15	2:1	180	BH39
MLB0812G3018	8-12.4	30	1.5	1.8	12	2:1	100	BH2/BH3
MLB0814G2430	8-14	24	1.5	3	15	2:1	150	BH2
MLB0814G3040	8-14	30	0.5	4	25	1.8:1	200	BH2/BH3
MLB0818G1840	8-18	18	1.5	4	18	2:1	120	BH2/BH3
MLB0818G1940	8-18	19	1.5	4	12	2:1	120	BH2/BH3
MLB0818G2028	8-18	20	1.5	2.8	10	2:1	120	BH2/BH3
MLB0818G2140	8-18	21-23	1	4	15	2:1	180	BH34
MLB0818G2525	8-18	25	2	2.5	16	2:1	120	BH2
MLB0818G2540	8-18	25	2	4	15	2:1	120	BH2
MLB0618G3025	8-18	30	2	2.5	16	2:1	120	BH2/BH3
MLB0818G2740	8-18	27	1.75	4	18	2:1	120	BH2/BH3
MLB0818G2840	8-18	28	1.75	4	12	2:1	120	BH2/BH3
MLB0818G2820	8-18	28	2	2	10	2:1	120	BH2
MLB0818G3020	8-18	30	2	2	12	2:1	120	BH2/BH3
MLB0818G3219	8-18	32	2.5	1.9	9	2:1	120	BH2/BH3
MLB0818G3527	8-18	35	2	2.7	20	2:1	400	BH3
MLB0818G3640	8-18	36	2	4	18	2:1	120	BH2/BH3
MLB0818G3622	8-18	36	2	2.2	10	2:1	120	BH2/BH3



WIDE BAND LOW NOISE AMPLIFIER

Part Number	Frequency Range (GHz)	Gain (dB.Min)	Flatness (\pm dB.Max.)	N.F (dB.Max)	P1dB (dBm.min)	VSWR Max	Current@ 12-15 VDC (mA. Typ)	Case Type
MLB0818G3740	8-18	37	2	4	12	2:1	120	BH2/BH3
MLB0818G4040	8-18	40	1.75	4	18	2:1	120	BH2/BH3
MLB0818G4140	8-18	41	2.25	4	12	2:1	120	BH2/BH3
MLB0818G4215	8-18	42	1.75(Typ.)	1.5(Typ.)	15	2:1	200	BH3
MLB0810G2510	8.4-10.2	25	0.75	1	5	2:1	200	BH2
MLB0809G3455	8.7-9.6	134 \pm 2	0.75	5.5	10	1.5:1	250	DH24
MLB0810G1425	8.75-10.25	4	1	2.5	10	1.8:1	100	BH2
MLB0910G1725	9-10	17	1	2.5	12	2:1	80	BH2
MLB0910G2512	9-10	25	0.5	1.2	10	1.5:1	100	BH2
MLB0912G2035	9-12	20	1	3.5	10	1.5:1	45	BH2/BH3
MLB1012G5013	10-12	50	2.5	1.3	10	1.5:1	400	BH2/BH3
MLB1012G1725	10-12	17	1	2.5	12	2:1	80	BH2
MLB1013G3025	10-13	30	1.5	2.5	15	2:1	150	BH2
MLB1013G4540	10-13	45	1	4	15	1.55:1	100	BH2/BH3
MLB1015G1030	10-15	10	0.5	3	13	1.8:1	100	BH2/BH3
MLB1015G2025	10-15	20	2	2.5	16	2:1	180	BH2
MLB1015G2530	10-15	25	1.5	3	10	2:1	100	BH2/BH3
MLB1015G3030	10-15	30	1.5	3	13	2:1	150	BH2
MLB1020G3030	10-20	30	1.5	3	13	2:1	150	BH2
MLB1013G2530	10.5-13	25-26	1	3	13	1.8:2	150	BH2/BH3
MLB1012G1520	10.7-12.75	15-16	0.4	2	15	1.7:1.6	150	BH2/BH3
MLB1012G2015	10.7-12.75	20	0.4	1.5	12	1.4:1.6	150	BH2/BH3
MLB1012G3020	10.7-12.75	30	0.75	2	12	1.6:1	120	BH2
MLB1013G1425	10.7-13.7	14-16	1	2.5	10	2:1	150	BH2/BH3
MLB1013G1525	10.7-13.7	15	1	2.5	10	2:1	150	BH2
MLB1218G1235	12-18	12	1	3.5	15	2:1	120	BH2
MLB1218G1528	12-18	15	1	2.8	13	2:1	100	BH2
MLB1218G1635	12-18	16	1	3.5	10	2:1	120	BH2/BH3
MLB1218G1940	12-18	19	1.25	4	18	2:1	120	BH2/BH3
MLB1218G2020	12-18	20	1.5	2	12	2:1	350	BH2
MLB1218G2022	12-18	20	02	2.2	012	2:1	120	BH2/BH3
MLB1218G2040	12-18	20	1	4	12	2:1	120	BH2/BH3
MLB1218G2028	12-18	20	1	2.8	13	2:1	120	BH2/BH3
MLB1218G2420	12-18	24	1.5	2	10	2:1	120	BH2/BH3
MLB1218G2522	12-18	25	1	2.2	10	1.8:1	200	BH2



WIDE BAND LOW NOISE AMPLIFIER

Part Number	Frequency Range (GHz)	Gain (dB.Min)	Flatness (\pm dB.Max.)	N.F (dB.Max)	P1dB (dBm.min)	VSWR Max	Current@ 12-15 VDC (mA. Typ)	Case Type
MLB1218G2628	12-18	26	1	2.8	15	2:1	260	BH2
MLB1218G2840	12-18	28	1.5	4	18	2:1	120	BH2/BH3
MLB1218G2816	12-18	28	1.5	1.6(Typ)	10	2:1	120	BH2
MLB1218G2920	12-18	29	1	2	12	2:1	120	BH2/BH3
MLB1218G2922	12-18	29	1	2.2	12	2:1	120	BH2
MLB1218G3025	12-18	30	1.5	2.5	12	2:1	100	BH2/BH3
MLB1218G3020	12-18	30	1.5	2	12	2:1	200	BH2
MLB1218G3030	12-18	30	1.5	3	12	2:1	200	BH2
MLB1218G3228	12-18	32	1	2.8	15	2:1	120	BH2/BH3
MLB1218G3219	12-18	32	1.5	1.9	14	2:1	120	BH2/BH3
MLB1218G3618	12-18	36	1.5	1.8	10	2:1	120	BH2/BH3
MLB1218G3740	12-18	37	1.75	4	18	2:1	120	BH2/BH3
MLB1218G3828	12-18	38	1	2.8	15	2:1	120	BH2/BH3
MLB1218G3840	12-18	38	1.5	4	12	2:1	120	BH2/BH3
MLB1218G4225	12-18	42	1.75	2.5	12	2:1	120	BH2/BH3
MLB1218G4428	12-18	44	1	2.8	15	2:1	120	BH2/BH3
MLB1240G3040	12-40	30	2.5(Typ)	4(Typ)	10	1.5/2(Typ)	150	BH23
MLB1219G3235	12.7-18.9	32-35	1	3.5	14	2:1	120	BH3
MLB1415G2515	14.5-15.5	25-27	0.5(Typ.)	1.5	5	1.4:1(Typ.)	5V/40mA	BH50
MLB1723G5030	17-23	50	1	3	12	2:1	240	BH2/BH3
MLB1720G6013	17.7-20.2	60	1(Typ)	1.342	10	1.3/1.5	175	BH58
MLB1721G3030	17.7-21.2	30	2	3	10	2:1	150	BH2
MLB1721W4015	17.7-21.2	40	2.5(Typ.)	1.5(Typ.)	0	1.8:1(Typ.)	+5V/200mA	BH55
MLB1721W4018	17.7-21.2	40	0.5(Typ.)	1.8	+12	1.4:1(Typ.)	+5V/200mA	BH55
MLB1721G5016	17.7-21.2	50-55	2	1.6	20	2.5/1.5	12V	BH45-2
MLB1721G5018	17.7-21.2	50-55	1.5	180K	10	1.7:1	15V	BH45
MLB1820G2235	18-20	22	1.5(Typ.)	3.5(Typ.)	12(tYP.)	2:1	5v/200mA	BH23
MLB1821G4822	18-21	48	2(Typ)	2.2	10	1.5:1	175	BH58
MLB1822G2530	18-22.4	25-27	1	3	13	1.8:1	150	BH2
MLB1826G3028	18-26	30	1.8	2.8	10	2:1	150	BH2/BH3
MLB1826G3035	18-26	30	2	3.5	10	2.4:1	75	BH2
MLB1826G1150	18-26.5	11	2	5	12	2:1	150	BH2
MLB1826G2030	18-26.5	20	1.5	3	15	2:1	100	BH2/BH3
MLB1826G3030	18-26.5	30	1.5(Typ)	3	13(Typ)	1.5:1(Typ)	200	BH23
MLB1826G4025	18-26.5	40-45	2	2.5(Typ)	10	2.2:1	5V/120	BH72
MLB1830G2550	18-30	25	1.8(Typ)	5	18	2.2:1	100	BH2



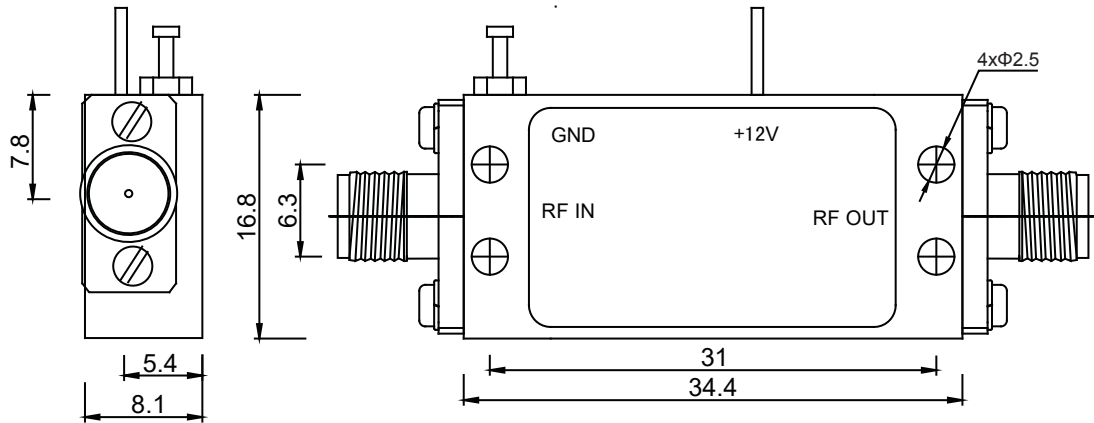
WIDE BAND LOW NOISE AMPLIFIER

Part Number	Frequency Range (GHz)	Gain (dB.Min)	Flatness (±dB.Max.)	N.F (dB.Max)	P1dB (dBm.min)	VSWR Max	Current@ 12-15 VDC (mA. Typ)	Case Type
MLB1840G1060	18-40	10	1.5	6	6	2.5:1	120	BH15
MLB1840G1550	18-40	15	1.5(Typ)	5	8	2.5:1	100	BH2
MLB1840G1760	18-40	17	3	6	12	2.5:1	240	BH2
MLB1840G1855	18-40	18-30	2.5	5.5	10	2.2:1	180	BH2
MLB1840G1960	18-40	19(TYP)	3	6	9	2:1	140	BH31
MLB1840G2050	18-40	20	2.5	5	10	2.5:1	240	BH71
MLB1840G2260	18-40	22-28	3.5	6	12	2.5:1	180	BH2
MLB1840G2335	18-40	23	2	3.5	6	2.5:1	120	BH61
MLB1840G2450	18-40	24	2.5	5	8	2.5:1	240	BH2
MLB1840G3050	18-40	30	3	5.5	10	2.5:1	240	BH2
MLB1840G3060	18-40	30(typ)	5	6	15	3:1	350	BH25
MLB1840G3450	18-40	34	3	5(Typ.)	8	2.5:1	240	BH3
MLB1840G3550	18-40	35	3	5	8	2.5:1	240	BH3
MLB2040G2540	20-40	25	2(Typ.)	4(Typ.)	13	2:1(Typ.)	200	BH23
MLB2040G4050	20-40	40	2	5(Typ.)	13	2:1(Typ.)	200	BH23
MLB2232G2025	22-32	20	2	2.5(Typ.)	0	2:1	5V/30mA	BH48
MLB2232C2025	22-32	20	2	2.5(Typ.)	10	2:1	5V/30mA	BH48
MLB2340G3131	23-40	31	2.5	3.1(Typ.)	10	2:1	180	BH23
MLB2340G3431	23-40	34	2.5	3.1(Typ.)	10	2:1	180	BH23
MLB2428G4030	24-28	40	2	3	10	2.5:1	250	BH3
MLB2433G4030	24-33	40	2	3	10	2.5:1	250	BH3
MLB2540G2125	25-40	32	1.5(Typ)	2.5	+5(Typ)	2:1(Typ)	5V/70mA	BH23
MLB2640G3040	26-40	0	2.2	4	8	2.5:1	150	BH23
MLB2640G3431	26-40	34	2.5(TYP)	3.1	7(TYP)	2.5:1	150	BH23
MLB2640G3435	26-40	34	3	3.5(Typ.)	15	2.5:1	300	BH23
MLB2640G6040	26.5-40	60	2.5(Typ)	4	5	2:1(Typ)	5V/350mA	BH23
MLB2640G3030	26.5-40	30	1.5(Typ)	3	13(Typ)	1.5:1(Typ)	200	BH23
MLB2729G2035	27-29	30	1	3.5(Typ.)	10	2.5:1	180	BH3
MLB2729G3431	27-29	34	1	3.1	10	2.5:1	180	BH2
MLB2729G3531	27-29	35	1	3.1	10	2.5	180	BH2
MLB3237G2045	32-37	20	2(Typ)	4.5	13	2:1	120	BH2
MLB3436G3432	34-36	34	1	3.2	10	1.5:1	110	BH40
MLB3545G2030	35-45	20	1.5(Typ)	3	4(Typ)	2.5:1	5V/70mA	BH23
MLB3840G5032	38-40	50	/	3.2	5	1.8/1.5	160	BH44-3

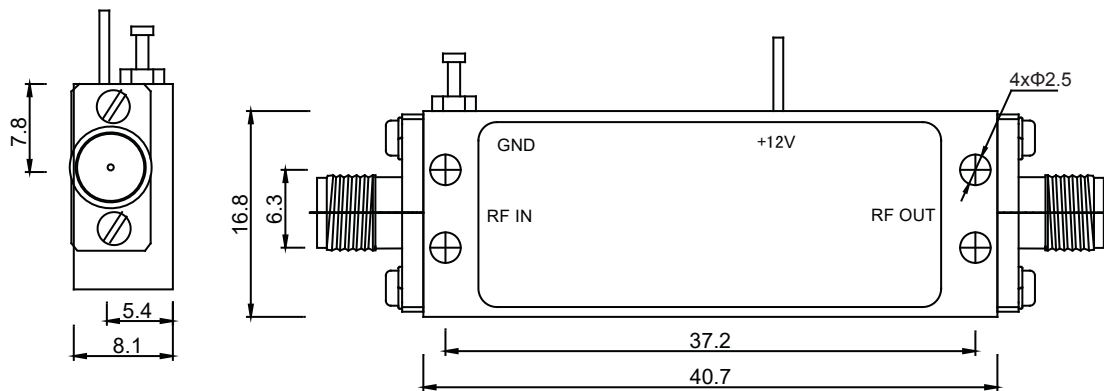


WIDE BAND LOW NOISE AMPLIFIER

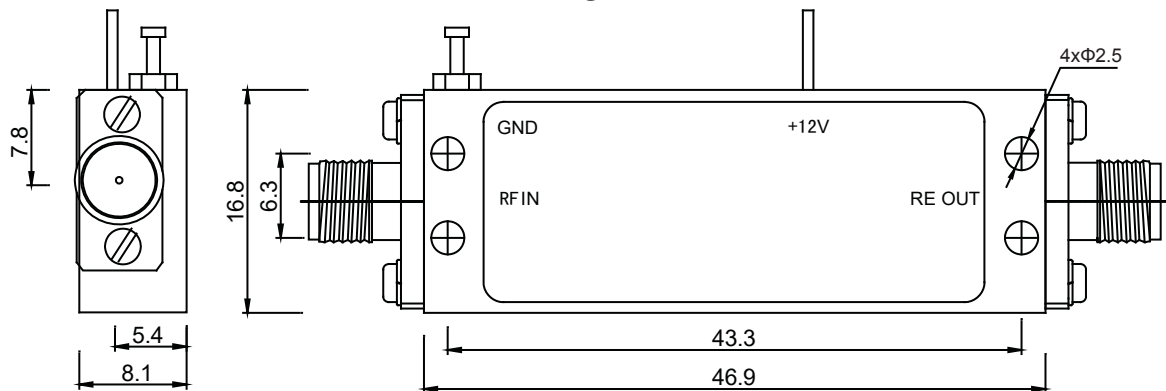
Part Number	Frequency Range (GHz)	Gain (dB.Min)	Flatness (\pm dB.Max.)	N.F (dB.Max)	P1dB (dBm.min)	VSWR Max	Current@ 12-15 VDC (mA. Typ)	Case Type
MLB4750G4530	47-50	45	1	3	8(TYP)	2:1	250	BH22
MLB5064G4070	50-64	40	3	7	7	3.5:1	8V/350mA	BH44
MLB75110G1835	75-110	18(Typ.)	2.5(Typ.)	3.5(Typ.)	0(Typ.)	2:1(Typ.)	5V	PM71
MLB75110G3540	75-110	35(Typ.)	3.5(tYP.0	4(Typ.)	0(Typ.)	2:1(Typ.)	5V	PM71
MLB75110G3545	75-110	35	3(Typ.)	4.5(Typ.)	0(Typ.)	2:1(Typ.)	220V	BH52
MLB9095G2850	90-95	28	2.5	/	17	/	8V/1.5A	BH62
MLB9395G5050	93-95	50	1	5	/	2:1	5V/200mA	BH22
MLB100160G3255	100-160	32	3(Typ.)	5.5(Typ.)	-1(Typ.)	2:1(Typ.)	220V	BH52



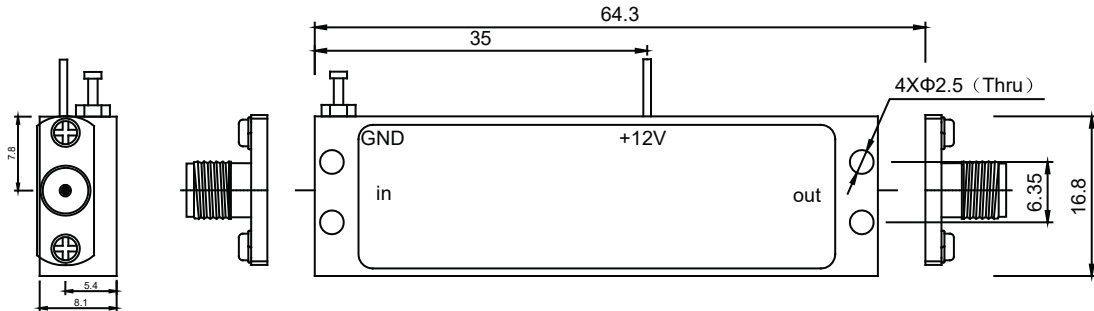
BH2



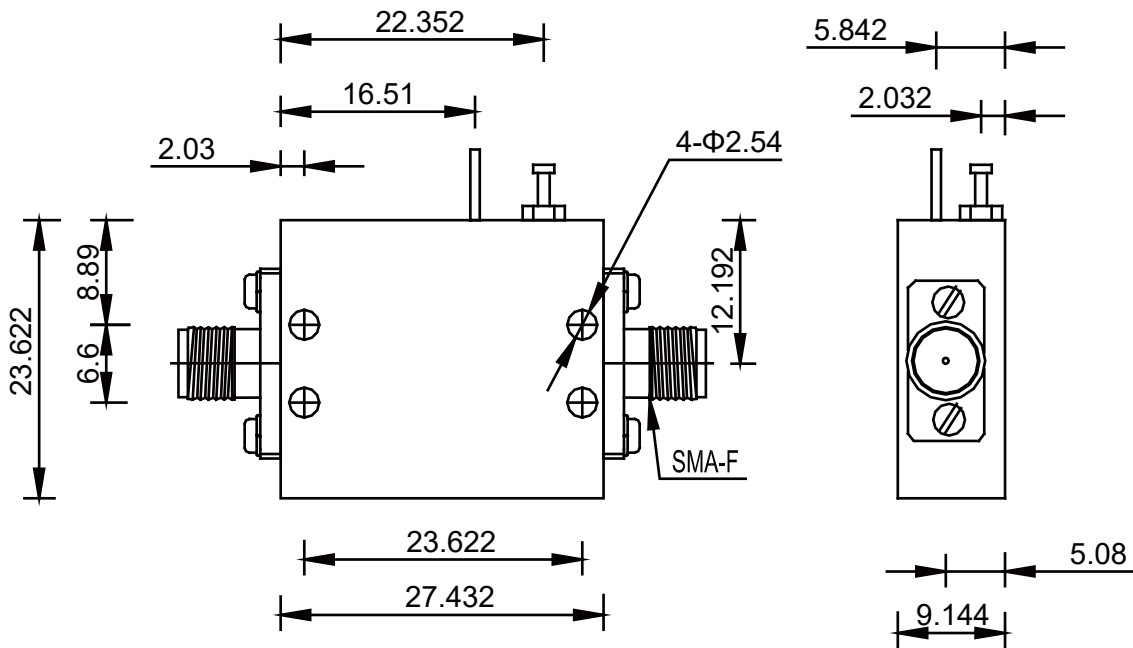
BH3



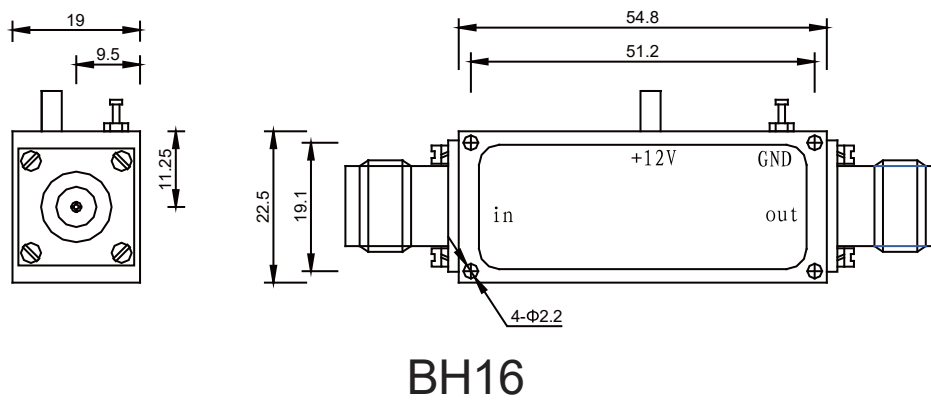
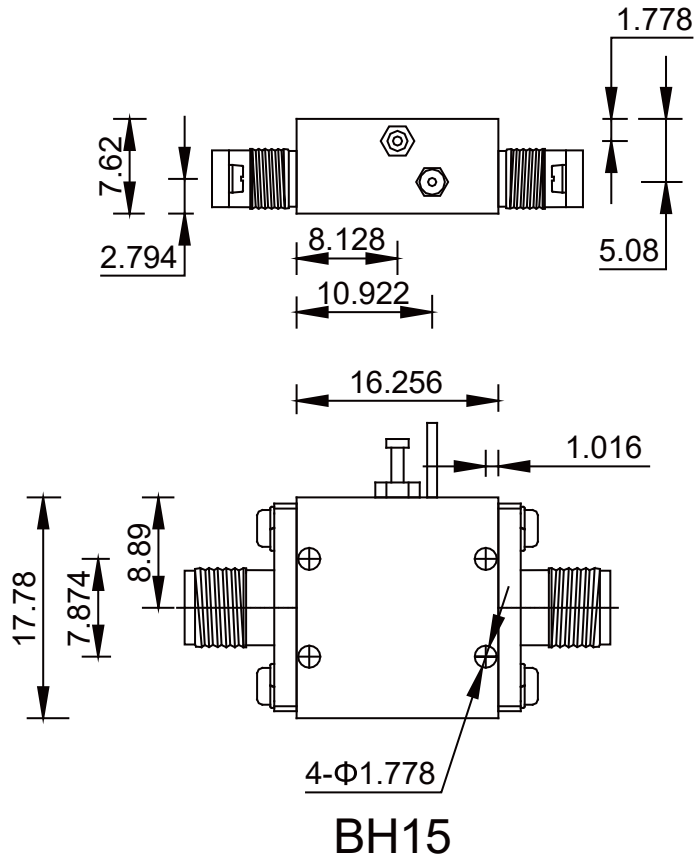
BH4

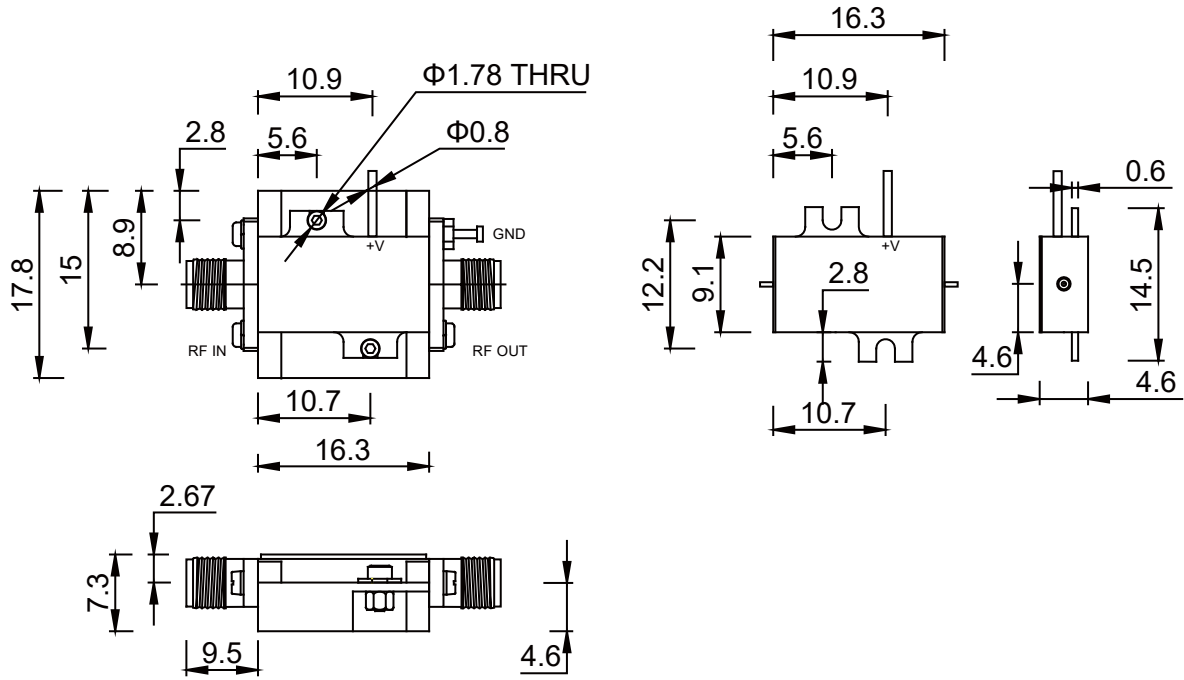


BH6

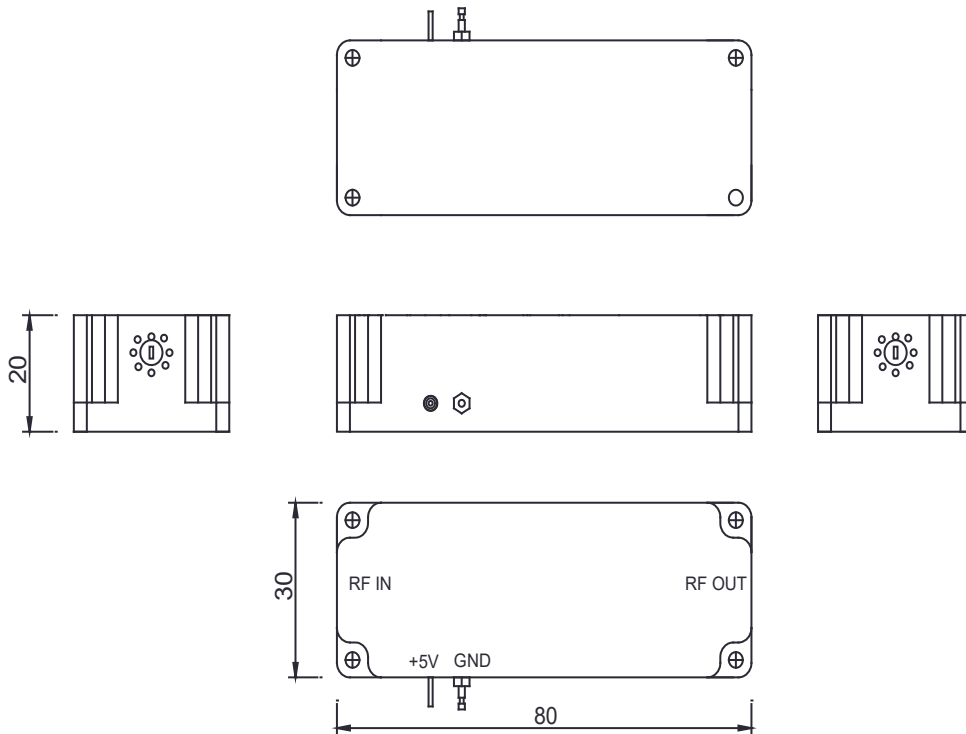


BH12

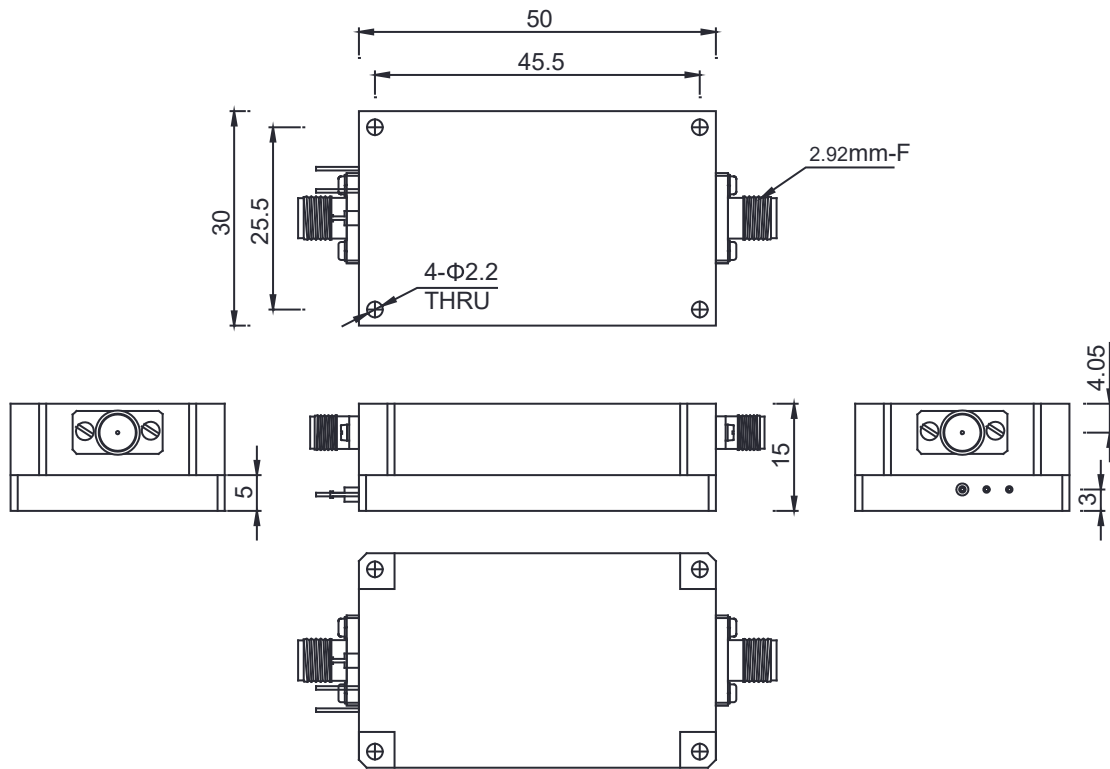




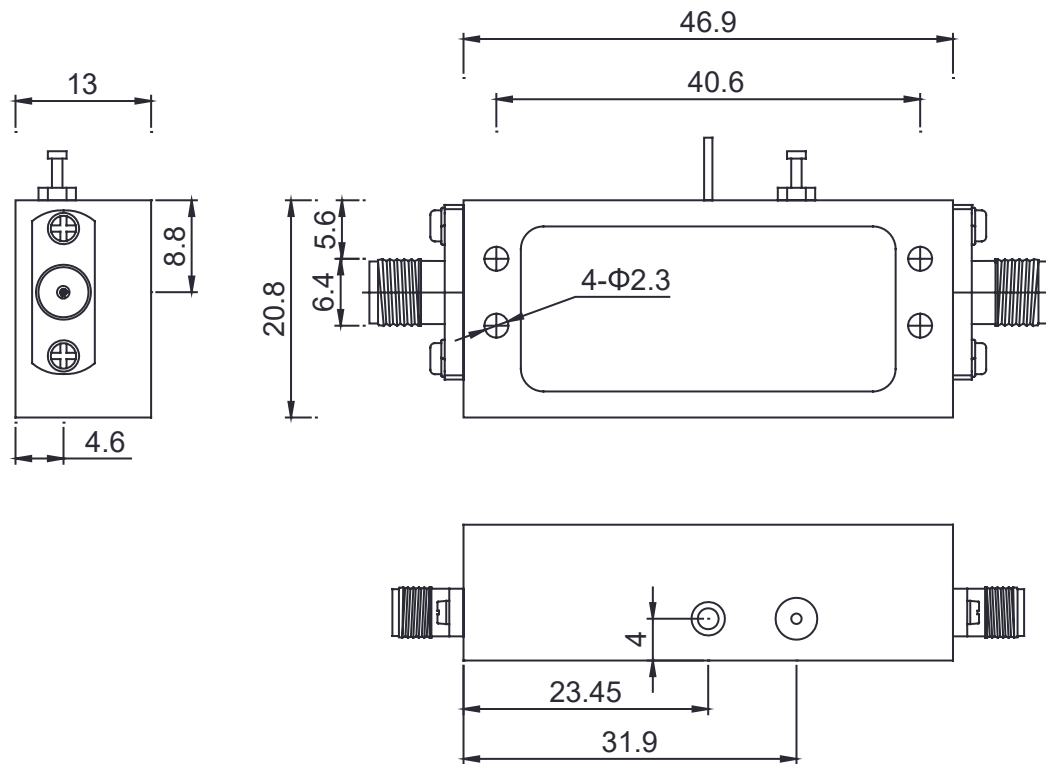
BH19



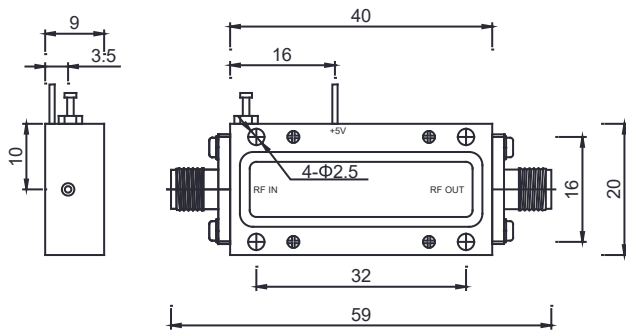
BH22



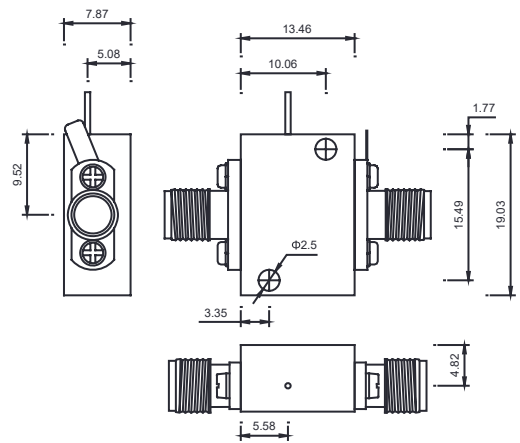
BH23



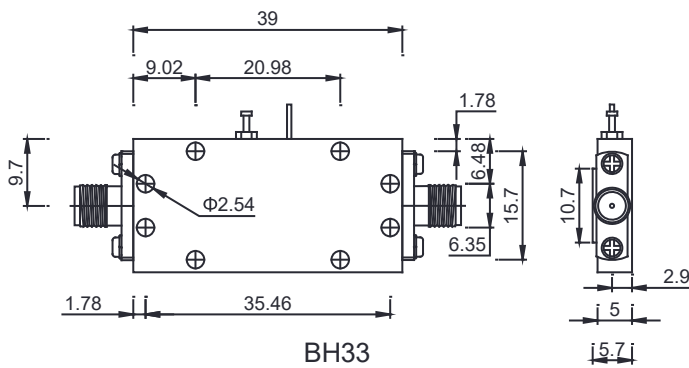
BH24



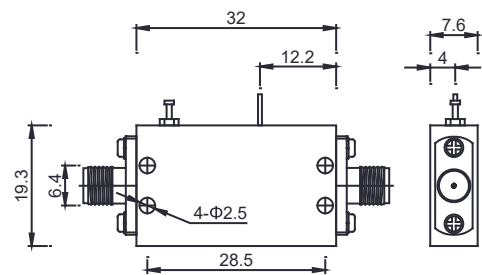
BH25



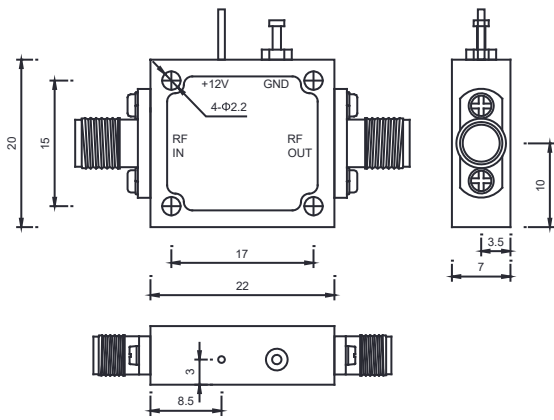
BH31



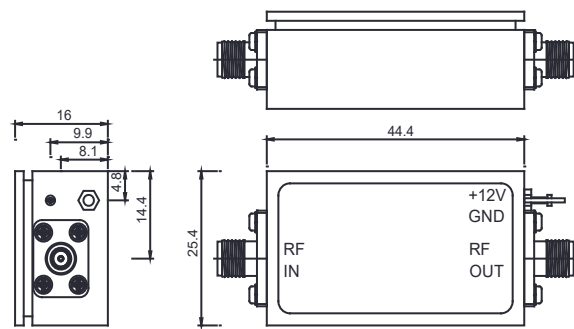
BH33



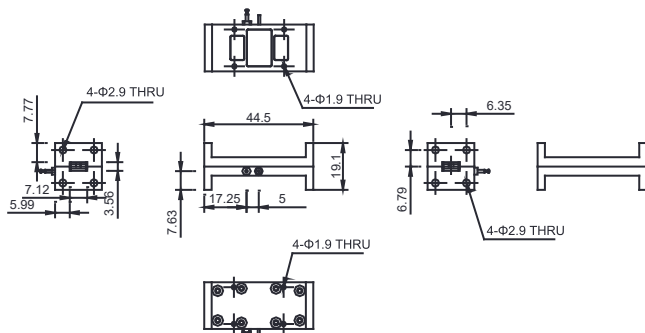
BH34



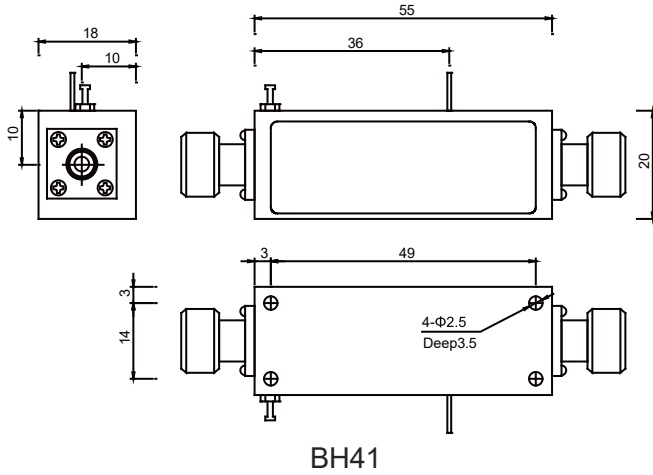
BH36



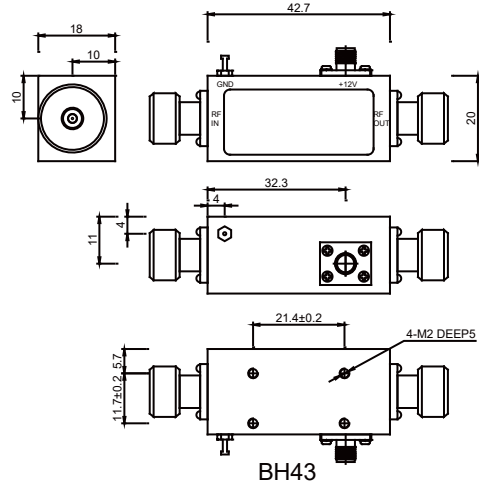
BH39



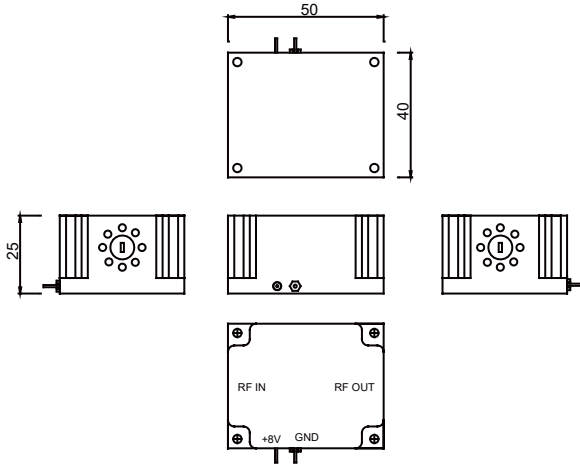
BH40



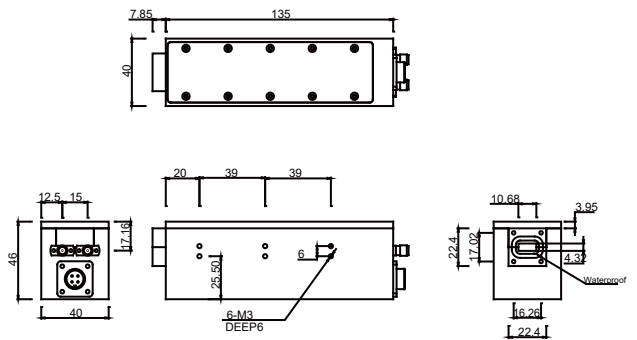
BH41



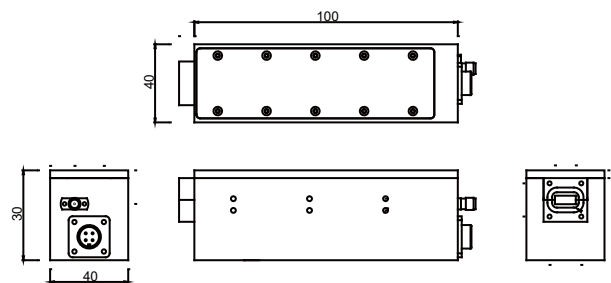
BH43



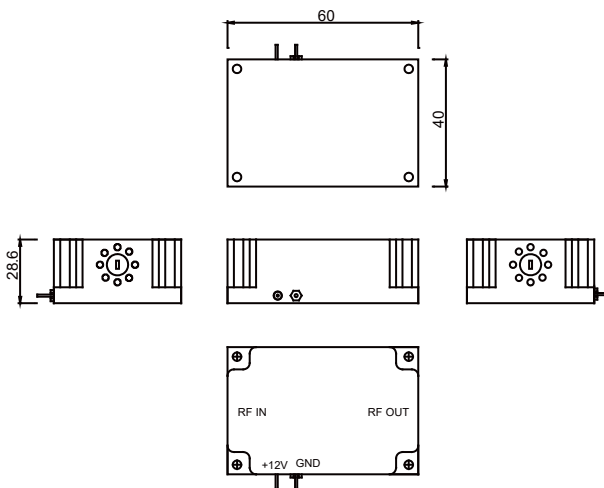
BH44



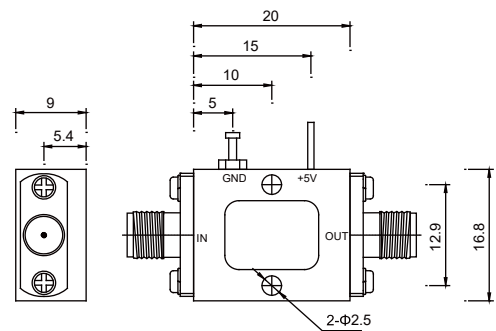
BH45



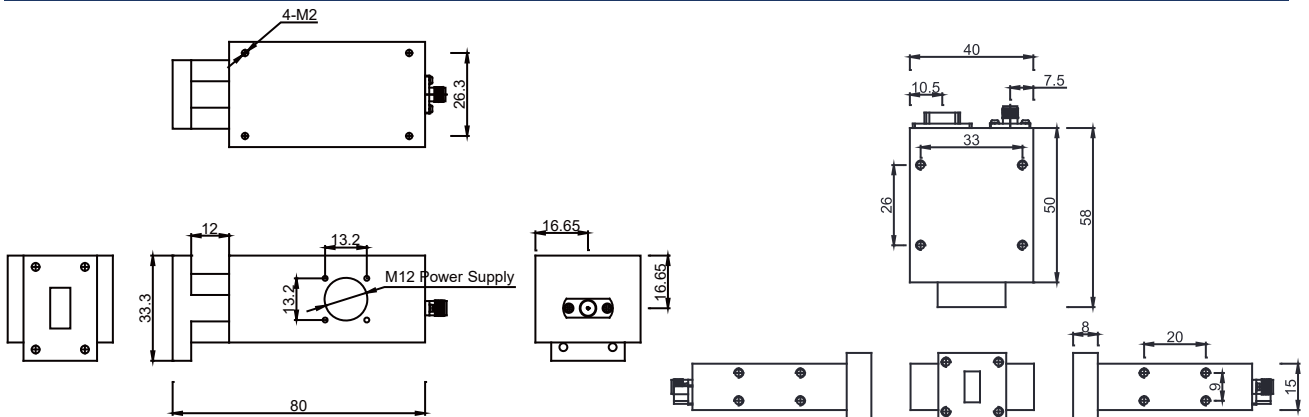
BH46



BH44-3

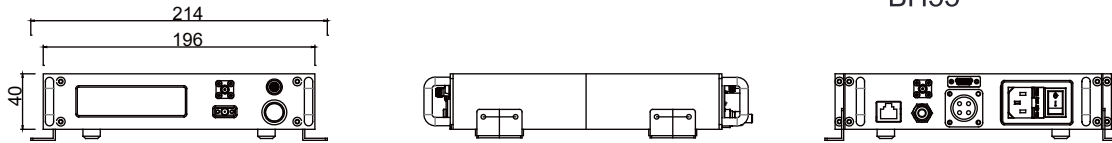


BH48



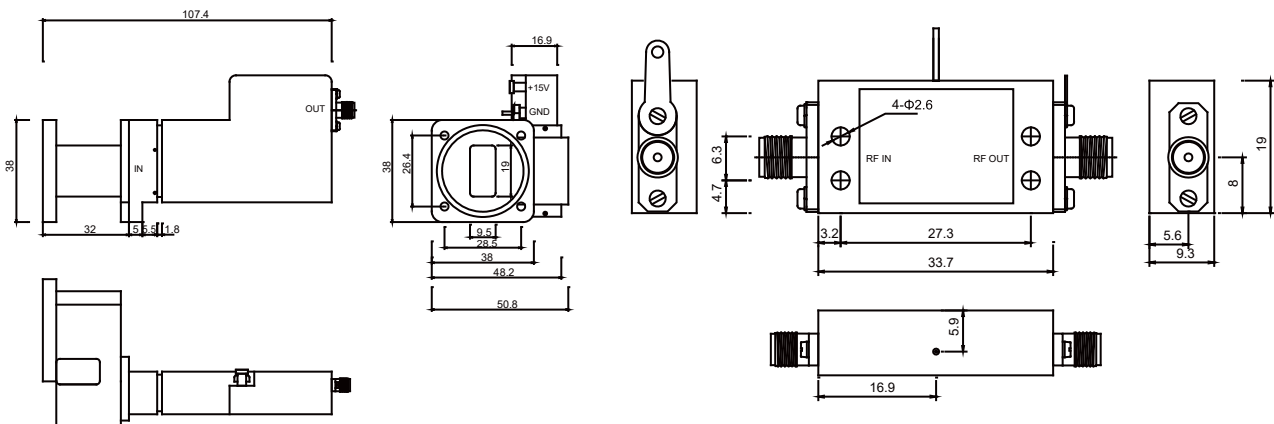
BH50

BH55



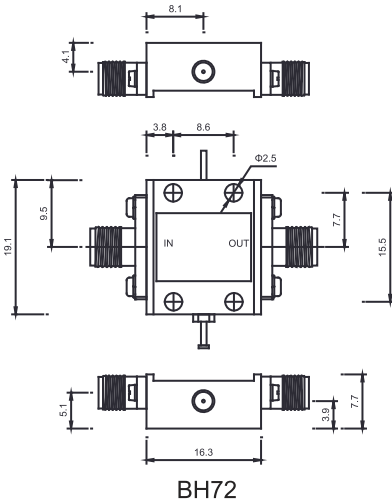
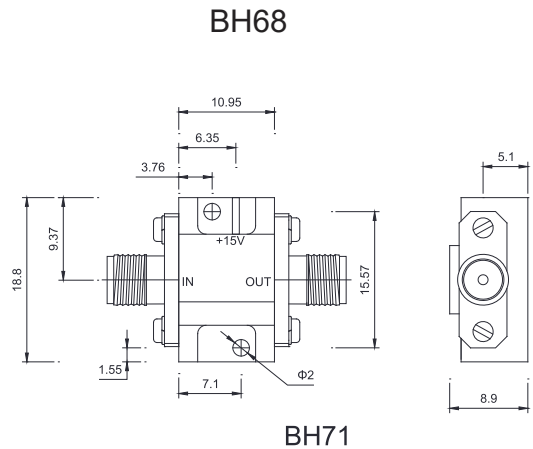
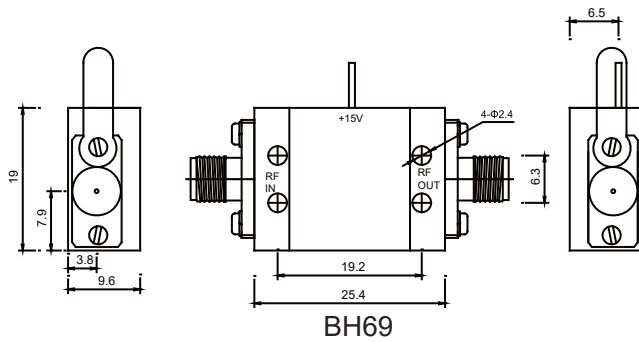
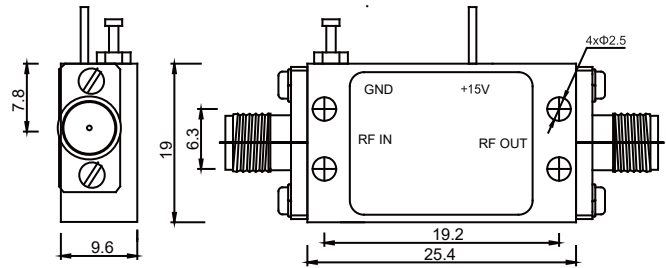
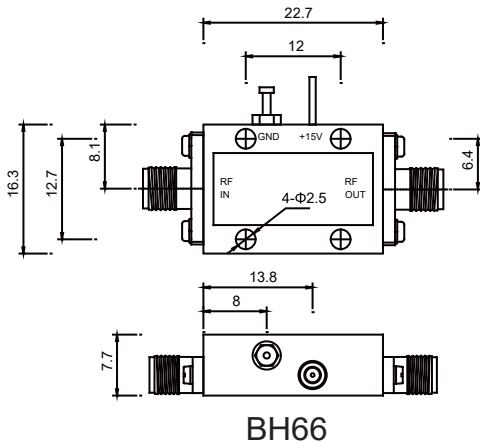
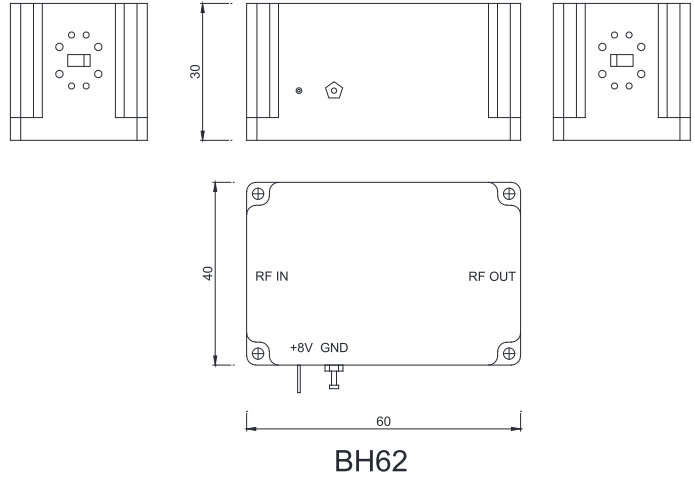
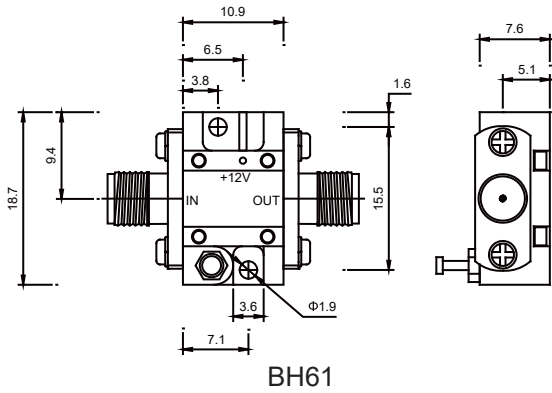
BH52

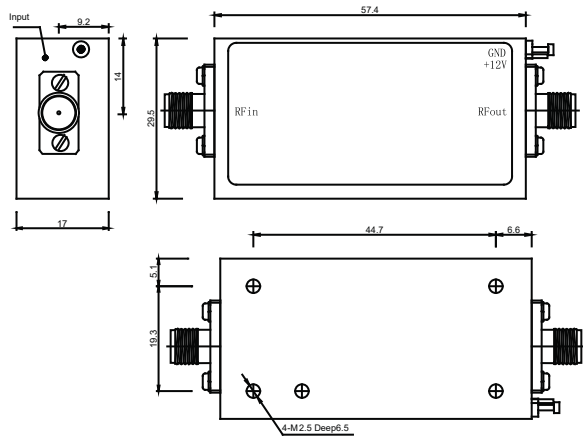
BH57



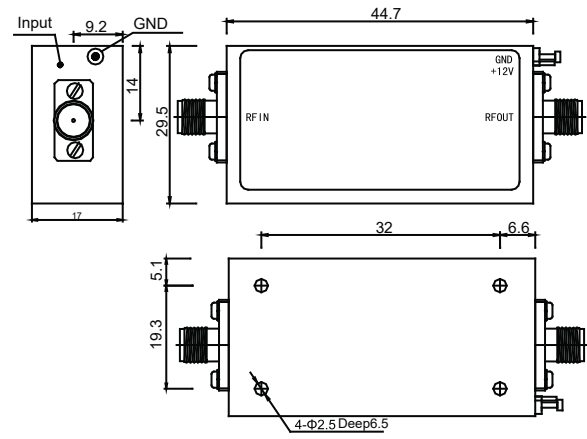
BH58

BH59

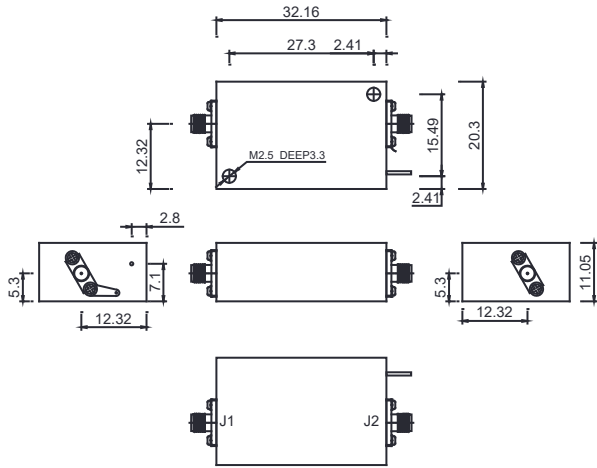




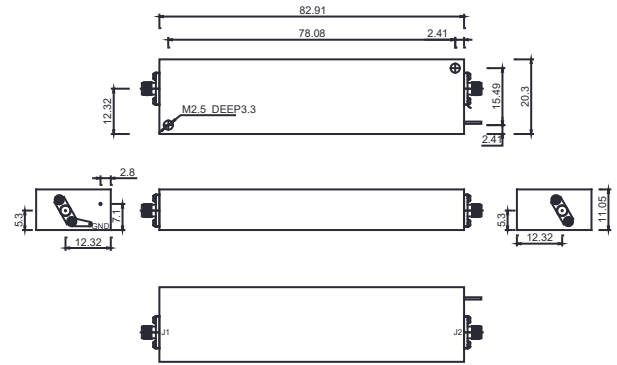
DH6



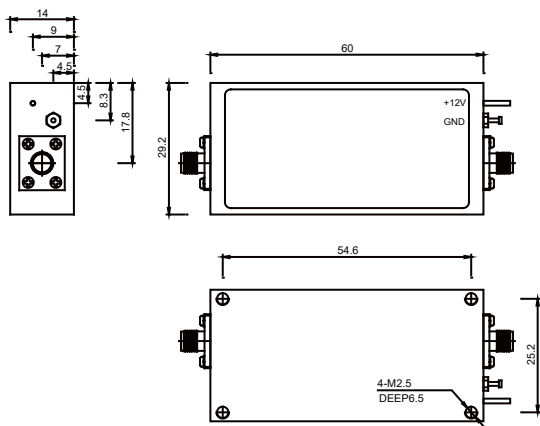
DH4



DH11



DH12



DH24

